

MOHM_{lab}



lapduck

lapduck

design
Nikolas Chachamis



Unique adjustable table offering the needed height for work; be it lounge seat or higher. Designated space for tablet holding for functional use.



lapduck

Technical descriptions

The adjustable height table is manufactured using metal tubes and laser cut metal base with aluminum clamp to control the table height.

Top is made of 22mm polyurethane painted MDF with a metal plate fixed underneath it for holding tablets.

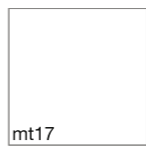
Finishes

Internal Tube

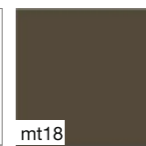


chrome

Metal Base



mt17

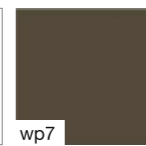


mt18

Wood Top

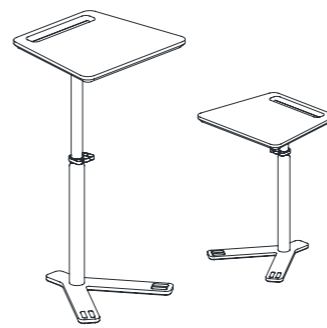


wp6



wp7

lapduck



LD4035

L40 W35 H45/75



MOHM
WORKPLACE IDEAS

2 Asmaa Fahmy st., Heliopolis,
Cairo, Egypt

Tel. (+202) 2417 5822/ 2417 1702/
2417 0726/ 2417 0728
Fax (+202) 2690 3694/ 2291 9273

mohmfurniture.com



ISO 9001:2008
ISO 14001
OHSAS 18001



The mark of
responsible forestry

A.D.
Nikolas Chachamis

Graphic Design & 3D
Archimedia

Printed
May 2018



MOHM
WORKPLACE IDEAS

2 Asmaa Fahmy st., Heliopolis,
Cairo, Egypt

Tel. (+202) 2417 5822/ 2417 1702/
2417 0726/ 2417 0728

Fax (+202) 2690 3694/ 2291 9273

mohmfurniture.com